

# ArkMNVR 4CH TX



Ark Vision Systems



# ArkMNVR 4CH TX

Article number : 3040024

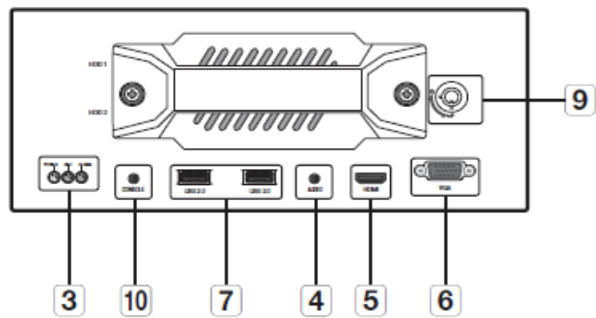


## Key Facts

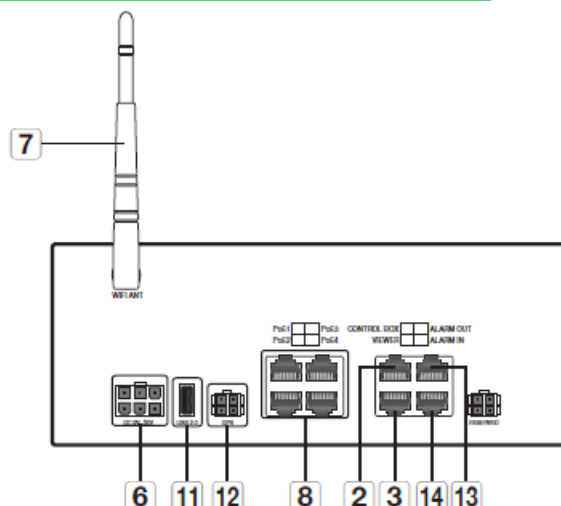
- **4-channel** mobile network video recorder
- Up to 4 channels, **up to 8 MP** supported
- **H.265, H.264, MJPEG** compression
- **Max. 50 Mbit/s** recording
- Plug & Play with **4 PoE connectors**
- **2 SATA slots** (front swap)
- **Max. 4 TB** (SSD)
- **Max. 2 TB** (HDD)

## Connector

3. 3x LED (Power, Rec, Alarm)
4. 1x Audio
5. 1x HDMI Up to 4K (3840 x 2160)
6. 1x VGA Max. 1080p
7. 2x USB (USB 2.0, USB 3.0)
9. 1x HDD Key Lock
10. 1x Service Console



2. 1x Control Box Connection RJ45
3. 1x Viewer RJ45 (100Mbps)
6. 1x Power Supply 9-36V DC
7. 1x Wifi Antenna
8. 4x Camera Input RJ45 PoE (100Mbps)
11. 1x USB 2.0
12. 1x GPS
13. 1x Alarm Ausgang RJ45
14. 1x Alarm Eingang RJ45



## Technical specifications

### Input

- Max. 4Channel (4 PoE, RJ45)

### Resolution

- CIF - 8MP

### Protokol

- Wisenet (SUNAPI), ONVIF

### Multi-Channel Display

- [Local Monitor] 1 / 2H / 2V / 3V / 4 / Autosequence
- [Web] 1 / 4 / Auto sequence

### Performance

- [Local Monitor]  
8MP (60fps), 5MP (90fps), 3MP (120fps), 2MP (120fps), 720p (120fps), D1 (120fps)

### Operating System

- Linux

### Record Compression

- H.265, H.264, MJPEG, WiseStream (H.265, H.264)

### Recording Bandwidth

- Max. 50Mbps

### Record Type

- Manual, Schedule (Continuous / Event), Event (Pre / Post), Emergency

### Record Event Trigger

- Alarm Input (6), Video Loss, Camera Event (Sensor, MD, Video Analytics, Defocus)  
G-Sensor (3 Axis)

### Record Event Action

- e-Mail, Alarm Out, Buzzer, Monitor Out

### Storage Internal HDD

- 2 SATA(Front-Swap)  
Max. 2TB (HDD, Non-RAID Mode)  
Max. 4TB (SSD, Non-RAID Mode)

### Storage RAID

- N/A

## Technical specifications

### File Backup

- Exe (GUI), JPG/AVI (excluding GPS information)(Network)

### Backup Function

- Multi channel (Up to 4ch) play, Date-time / Title / GPS display

### Backup Type

- Auto (Wi-Fi), Manual (HDD/SSD)

### Wifi Backup Performance

- Max. 50Mbps

### Sensor I/O

- 6/4

### Audio Input

- 4 Channel (Network)

### Audio Compression

- G.711, G.726, AAC (16/48KHz)

### Audio Communication

- 2-Way

### Network Interface

- RJ-45 (Gigabit ethernet x1)

### Network Protocol

- TCP/IP, UDP/IP, RTP (UDP), RTP (TCP), RTSP, NTP, HTTP, DHCP (Server, Client), PPPoE, SMTP, ICMP, IGMP, ARP, DNS, DDNS, uPnP, HTTPS, SNMP, ONVIF (Profile-S), SUNAPI (Server, Client)

### Network Transmission Bandwidth / Wired LAN

- Max. 50Mbps

### Network Max Remote Users

- Search (3), Live Unicast (10), Multicast (20)

### Network IP Version

- IPv4/v6

### Network Security

- IP address filtering, User access log, 802.1x, Encryption

### Network Wireless

- Wifi - Internal (802.11 ac(5G), 1T1R / Support external 3G/LTE router (Ethernet)

### Network Viewer Software

- Type: SSM Transportation, Webviewer / CMS Support: Support SDK/CGI( SUNAPI) for integration to 3'rd party VMS

## Technical specifications

### Camera Setup Register

- Auto, Manual

### Camera Setup Items

- IP address, Profile add/edit, Bitrate, Compression, Camera MD setup Camera video setup (Simple focus, Brightness/Contrast, Flip/Mirror, Iris, WDR, D&N, SSNR, Shutter, SSSDR, DIS), Fisheye dewarping mode, Hallway view Setup, Camera webpage, Wi-sestream On/Off

### Camera PoE/PoE+ Power Control

- Monitor PoE/PoE+ power consumption, On/Off control for each PoE/PoE+ camera, Remote reset for each PoE/PoE+ camera

### Camera Time Sync

- NVR time protocol for PoE/PoE+ camera (Time sync based on NVR time) GPS time sync

### System Control

- Mouse, Web

### Power Management

- Shutdown Delay
  - Max. 72Hrs (User selectable)shutdown / Support CGI shutdown
- Startup Delay
  - 0 (Default) sec - 10 Min (User selectable)
- Log List
  - Max. 20,000 (System log, Event log each)

### Operating Temperature / Humidity

- -25 to +55 °C(-13 to +131 °F) : HDD installed

### Humidity

- 20% - 85% RH

### Power Supply

- 9 - 36V DC
  - Battery power detection & Low power limit setup
- Power Consumption
  - Max. 83W
- PoE Budget
  - Max. 32W

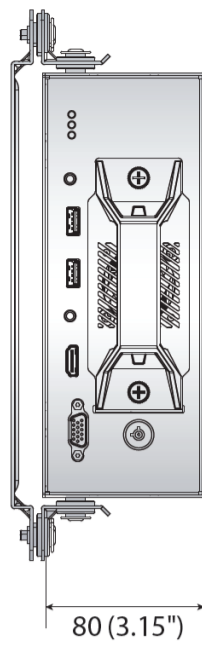
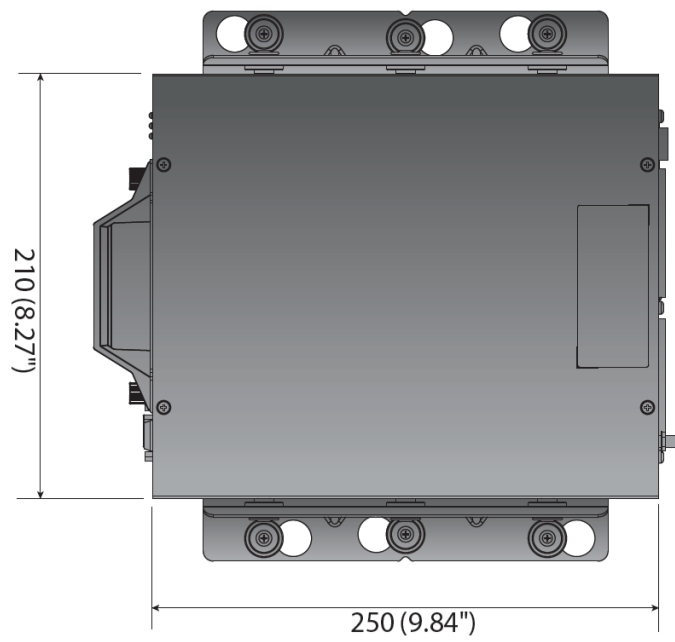
### Certification

- EN-50155, EN-50121-3, EN-61373

### Weight

- Approx. 3.4Kg (7.5lb, without HDD)

## Dimensions



## Accessories

- Control Box



- GPS Antenna



- Wifi Antenna



